

DIAGRAMA ELECTRICO PSSA-12

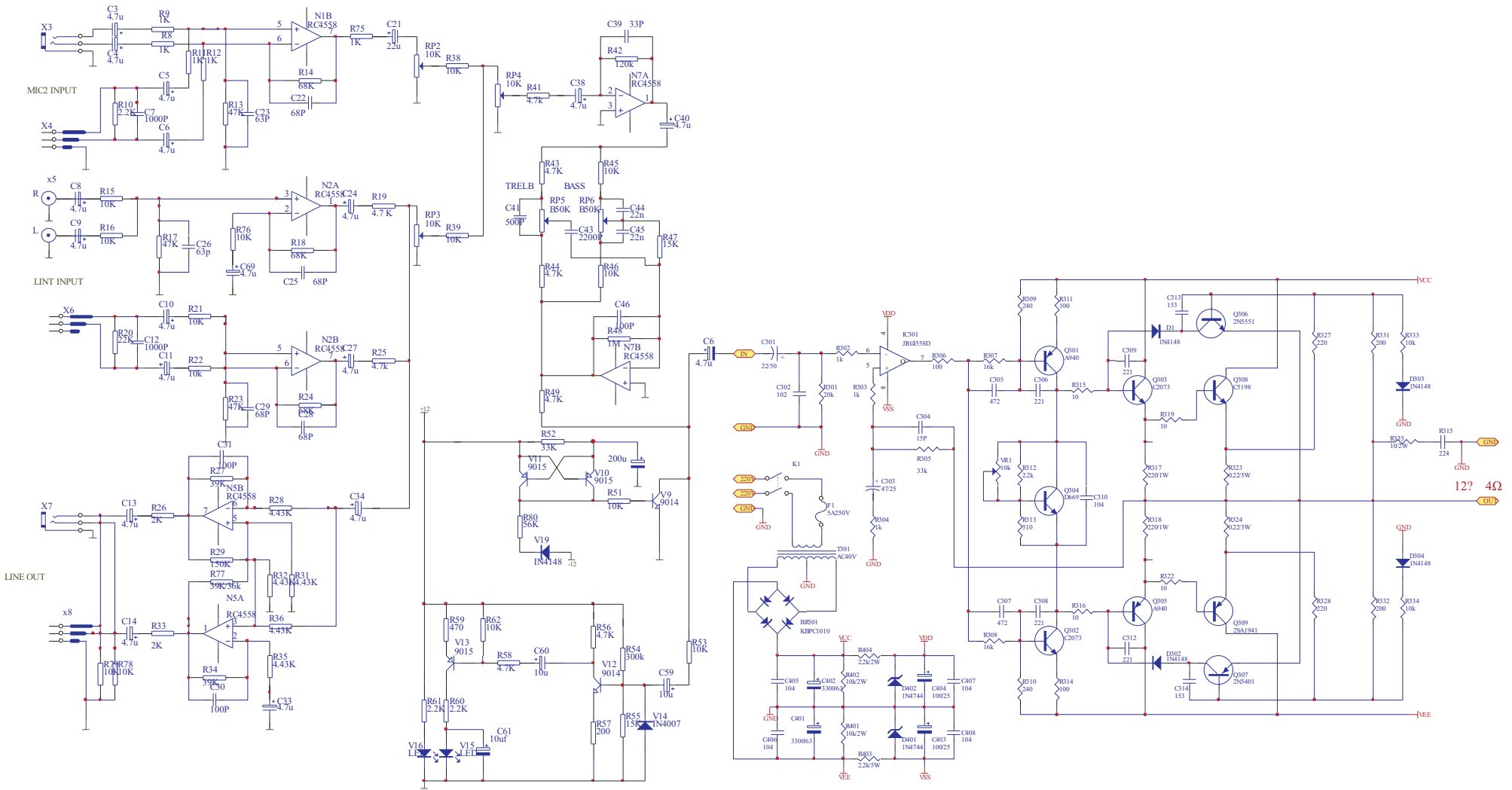


DIAGRAMA ELECTRICO PSSA-15

