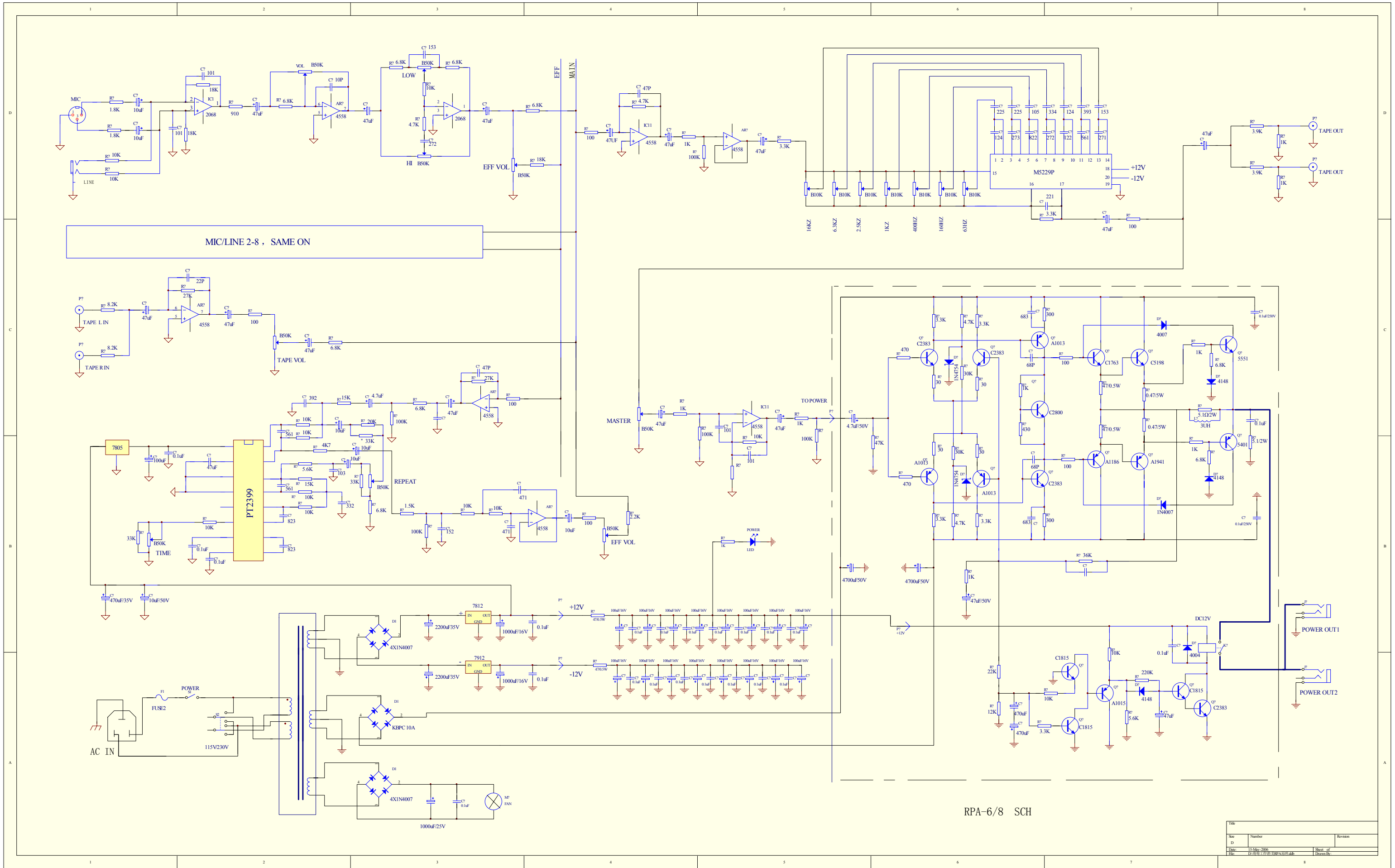


RPA-4 SCH

Title		
See D	Number	Revision
Date:	15-May-2006	1
File:	D:\PSPICE\Projects\A4\A4.sch	Sheet of 1
		Drawn By:



RPA-6/8 SCH

Title	Number	Revision
Doc		
Date	15 May 2006	Sheet of 02
File	D:\EPE\1\PE\88A\88A.ddb	Exam B